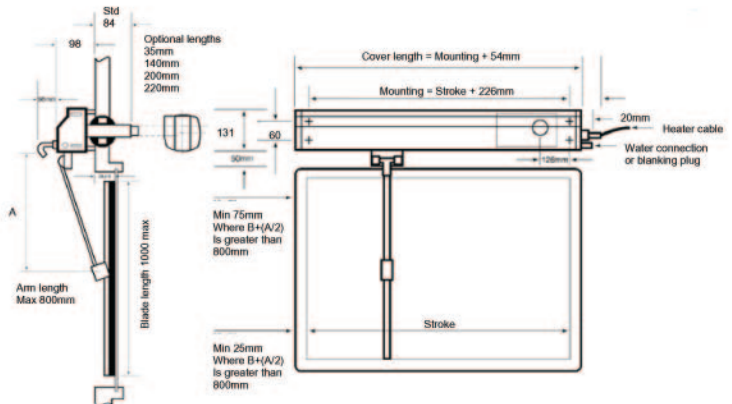
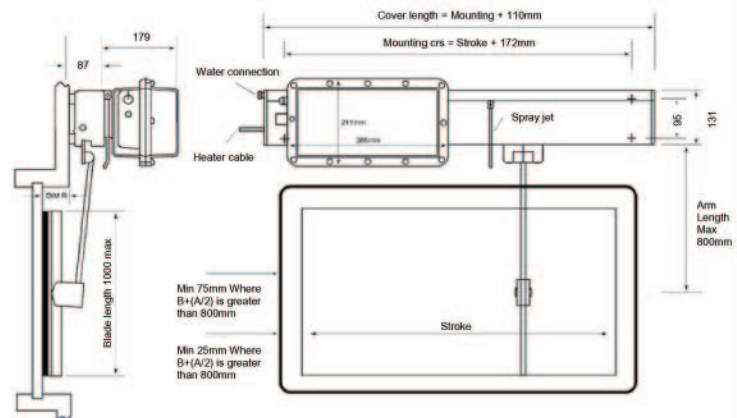


WYNN STRAIGHT LINE WIPERS



Type C



Type D

The Type C is a Heavy Duty internally mounted motor Straight line wiper. The drive shaft is taken through the ships bulkhead and the motor attached with a single bolt clam easy installation.

The Type D is a Heavy Duty externally mounted motor Straight line wiper. The motor is mounted outboard and is only necessary to bring the cables through the bulkhead. The motor housing is fully sealed to I standards.

they offer the most advanced design of linear action window wiping for marine and other specialist applications.

By correctly matching the stroke and blade lengths, up to 80% of the window can be wiped. Fast wiping speed can provide maximum view from the ships bridge.

High powered AC induction motors provide an efficient reliable operation, quiet running and no maintenance.

Incorporating the highest quality Stainless steel and other non corrosive materials throughout.

Control features can include 2 speed Operation, parking, intermittent, heater, master control and wash/air purge.

Specifications		
Type C		
	Single	Twin
Stroke	Min 305mm, Max 2260mm	Min 565mm, Max 4495mm
Blade	Max 1000mm	Max 500mm
Arm	Max 800mm	Max 800mm
Type D		
	Single	Twin
Stroke	Min 305mm, Max 2260mm	Min 565mm, Max 4495mm
Blade	Max 1000mm	Max 800mm
Arm	Max 800mm	Max 800mm
Type C & D		
Wipe Speed	1.4 m per second / 0.7 m per second	
AC Motor	Induction type : 100, 115, 230 volt	
DC Motor	Permanent magnet type : 24 volt	
3 - PH Motor	Fast speed / slow speed / intermittent	
1 - PH and DC	Fast Speed / intermittent	
De-icing heater	200 watts per metre	
Park sensor	Magnetic read switch	
Spray nozzles	1 up to 990mm stroke, 2 if > 1015mm stroke : 6mm overall dia tube	
Mounting	Above, Below, or Vertical on the window	
Type approvals	DNV, ABS	